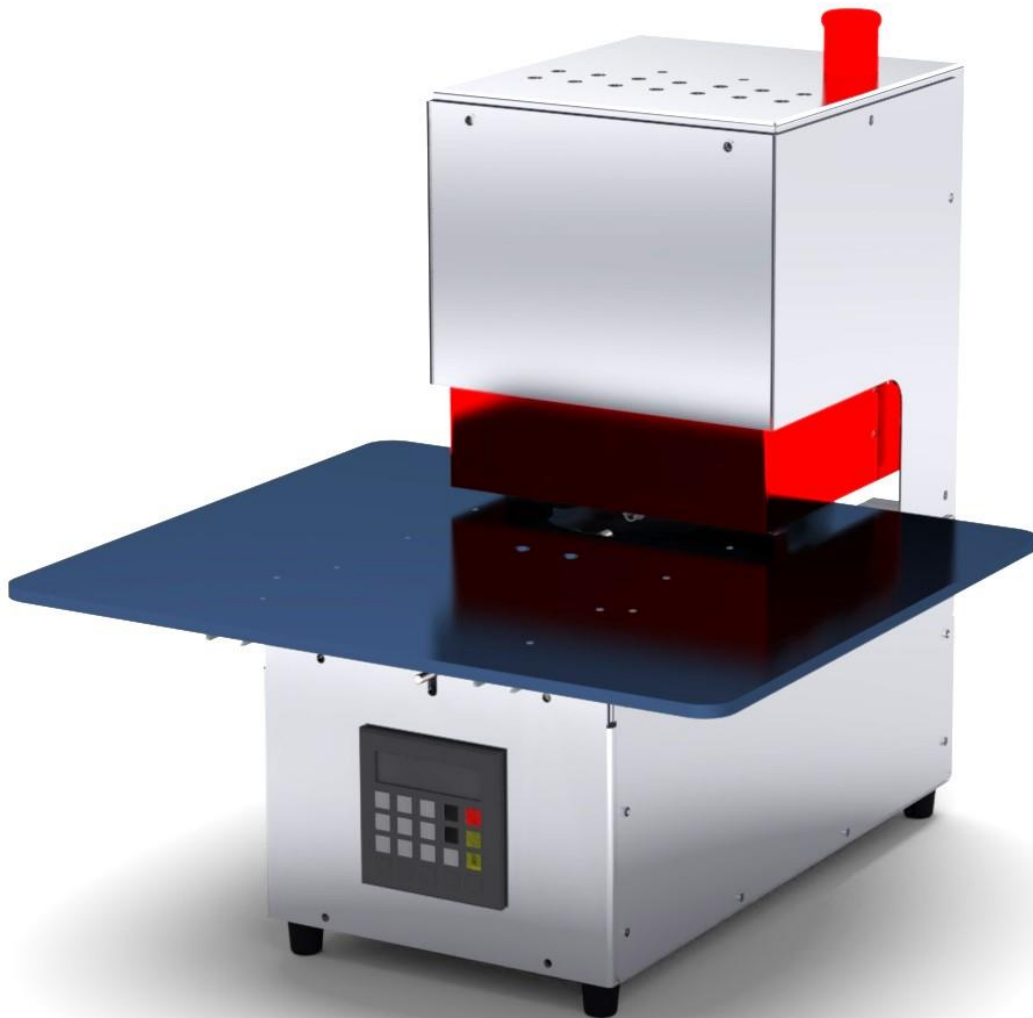


Airofiller[®]

Equipment solutions

Hand Seal Machine



Airofiller Equipment Solutions BV.

Dispensing Platform™ / Lab™s / Equipment Solutions™ / Full Service™ / Authorized Filler Network™

Bergveste 12, 3992 DE, Houten, The Netherlands
Tel: +31 30 220 11 76 www.airofiller.com

Specifications

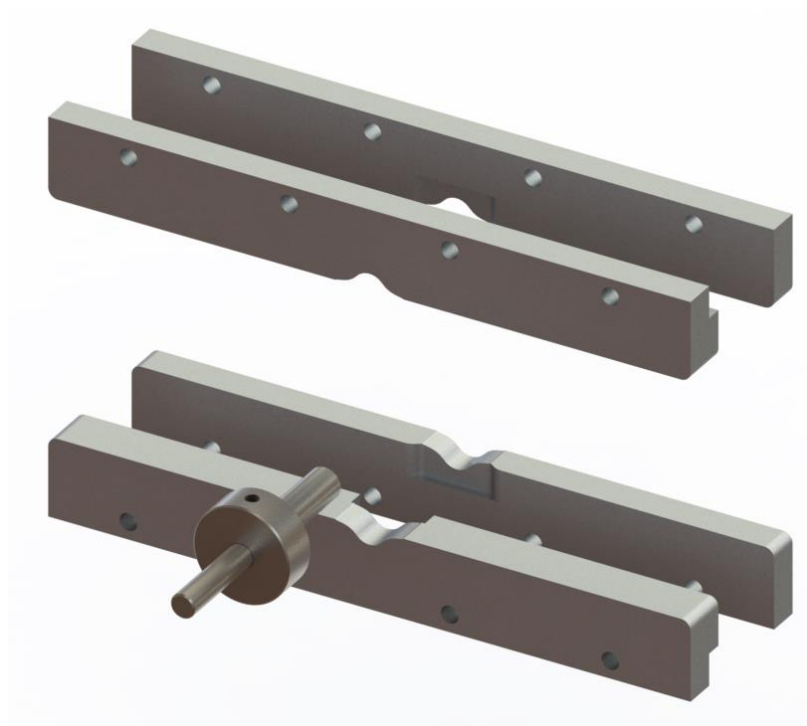
Parameter	Unit
Output	5 pcs/min
Control	Electrical an Pneumatic
Electrical connection	230V AC 50/60Hz
Electrical Control	HMI PLC
Pneumatic connection	Adjustable up to 6 bar
Spout sizes	Up to Ø 28 mm
Seal length	Up to 190mm
Pouches	any size/orientation precut pouches
Seal cooling	Conductive cooling
Water cooling	Optional
Exchangeable nozzle bar	Yes
Air consumption	10 dm ³ /min
Machine length	665mm
Machine width	500mm
Machine height	550mm
Weight	50kg
Sound	<85 dB(A)

Packages

Seal set customized for the requested spout



Seal bars



Footprint

