

# Airofiller<sup>®</sup>

Equipment solutions

## Rotary Filling Crimping and Pressurizing Machine

---

*Rotary Filling Crimping and Pressurizing Machine*



**Airofiller Equipment Solutions BV.**

Dispensing Platform™ / Lab™s / Equipment Solutions™ / Full Service™ / Authorized Filler Network™

---

Bergveste 12, 3992 DE, Houten, The Netherlands  
Tel: +31 (0) 30 220 1176 [www.airofiller.com](http://www.airofiller.com)

## Characteristics

The RFCP represents a fully automatic filling machine designed for filling, capping and pressurizing gas-free spray cans. The implementation of piston pumps ensures a high accuracy in dispensing. This machine is mainly constructed of Stainless steel for optimal hygiene. the machine can be equipped with infeed conveyors and outfeed tables. Pumps are mounted on a separate trolley to facilitate offline cleaning.



Parameter	Unit
Machine type	RFCP-2
Control	Siemens PLC
HMI	7"
Extra	Multi-language Operating security levels Internet connection for trouble shooting
Mechanical speed	20 pcs/min
Max. power usage	6 kVA
Primary voltage	400/230 V AC
Phases	3P + N + PE
Frequency*	50-60 Hz
Min. air pressure	6.5 bar
Max. air pressure	9 bar
Air consumption	1000 dm <sup>3</sup> /min
Machine length*	1900 mm
Machine width*	1400 mm
Machine height*	2500 mm
Weight*	450 kg
Frame	Stainless steel
Sound production	80 dB(A)
Pump	Content specific
Nozzles	Content Specific
CE Approved	Yes

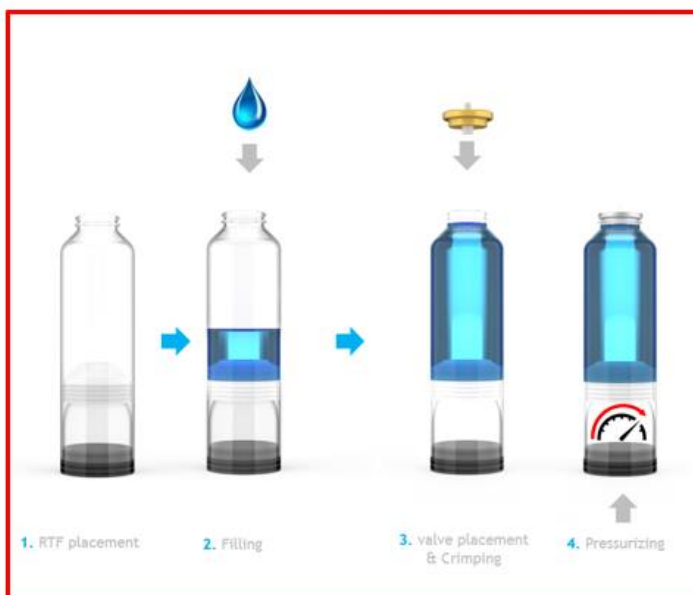
*The package*



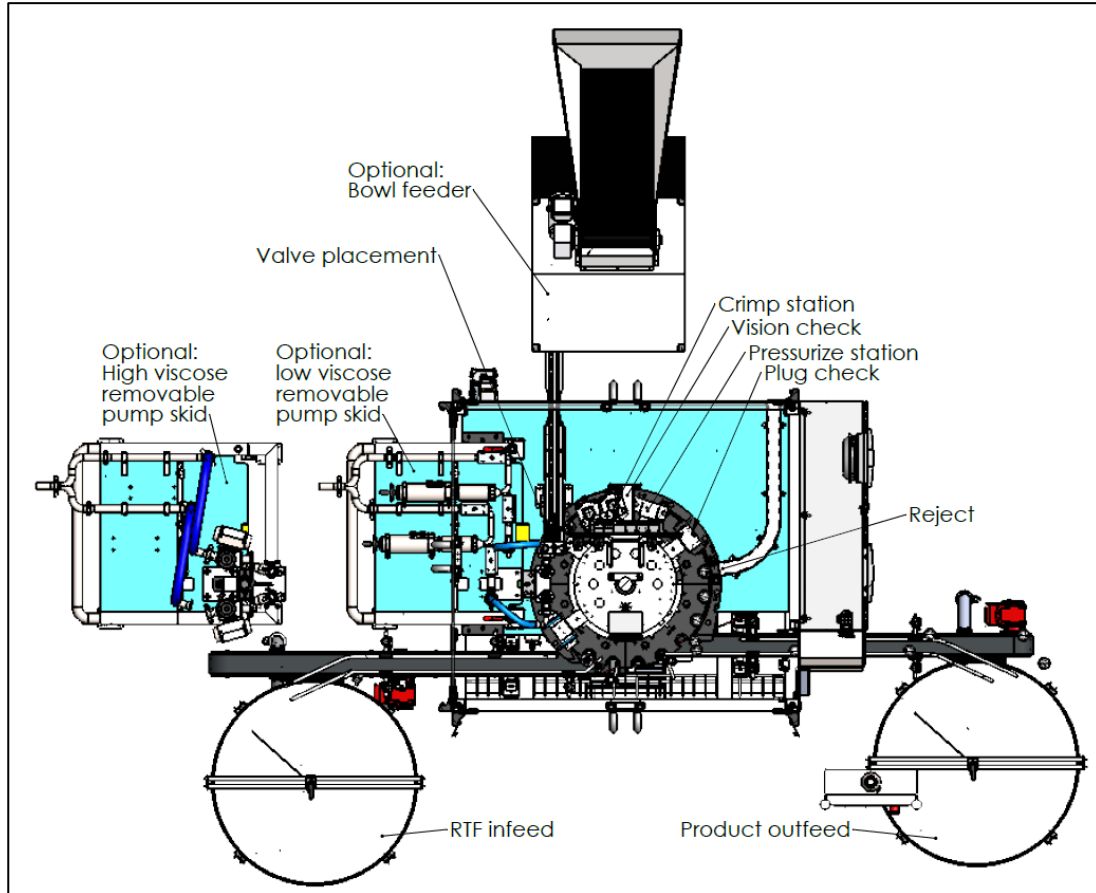
*Filling Process*

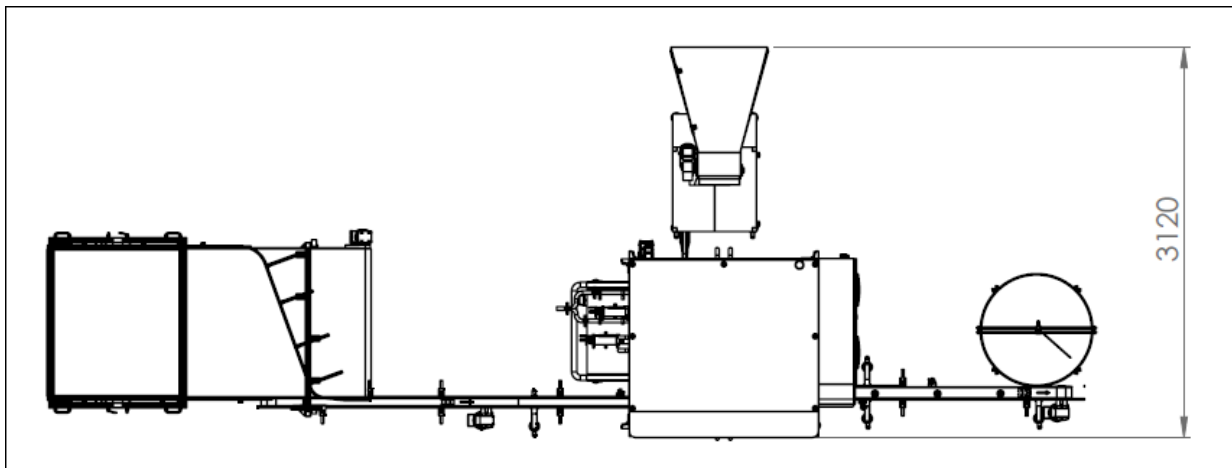
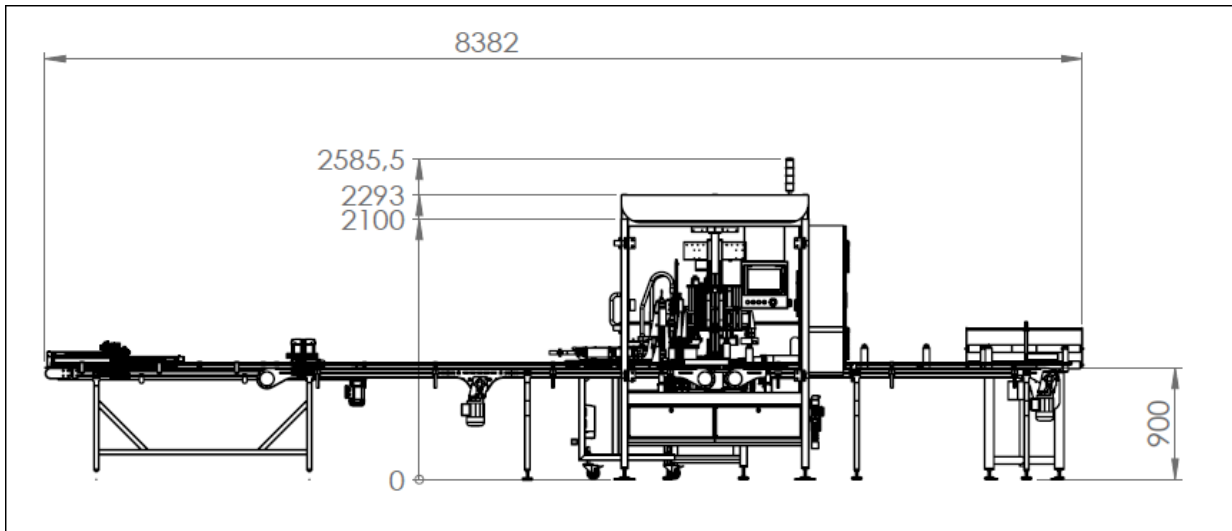
Scope **Airofiller RFCP-2**

Optional on request

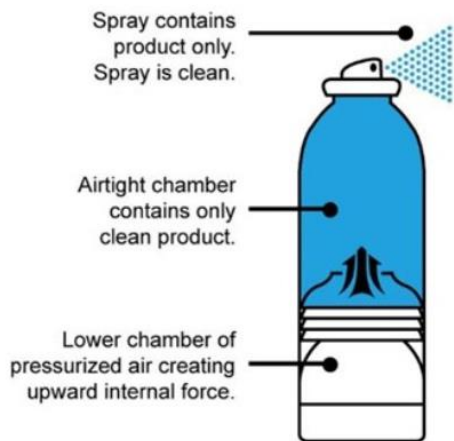


**Footprint**



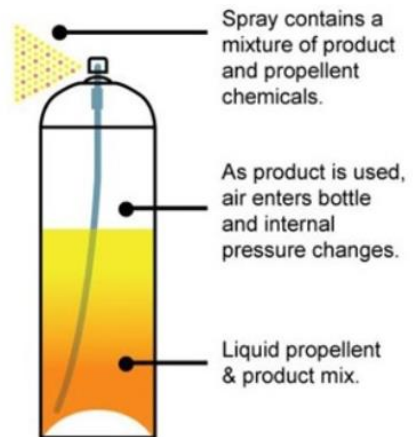


*Extra's*



**Airopack Aerosol**

**VS.**



**Traditional Aerosol**